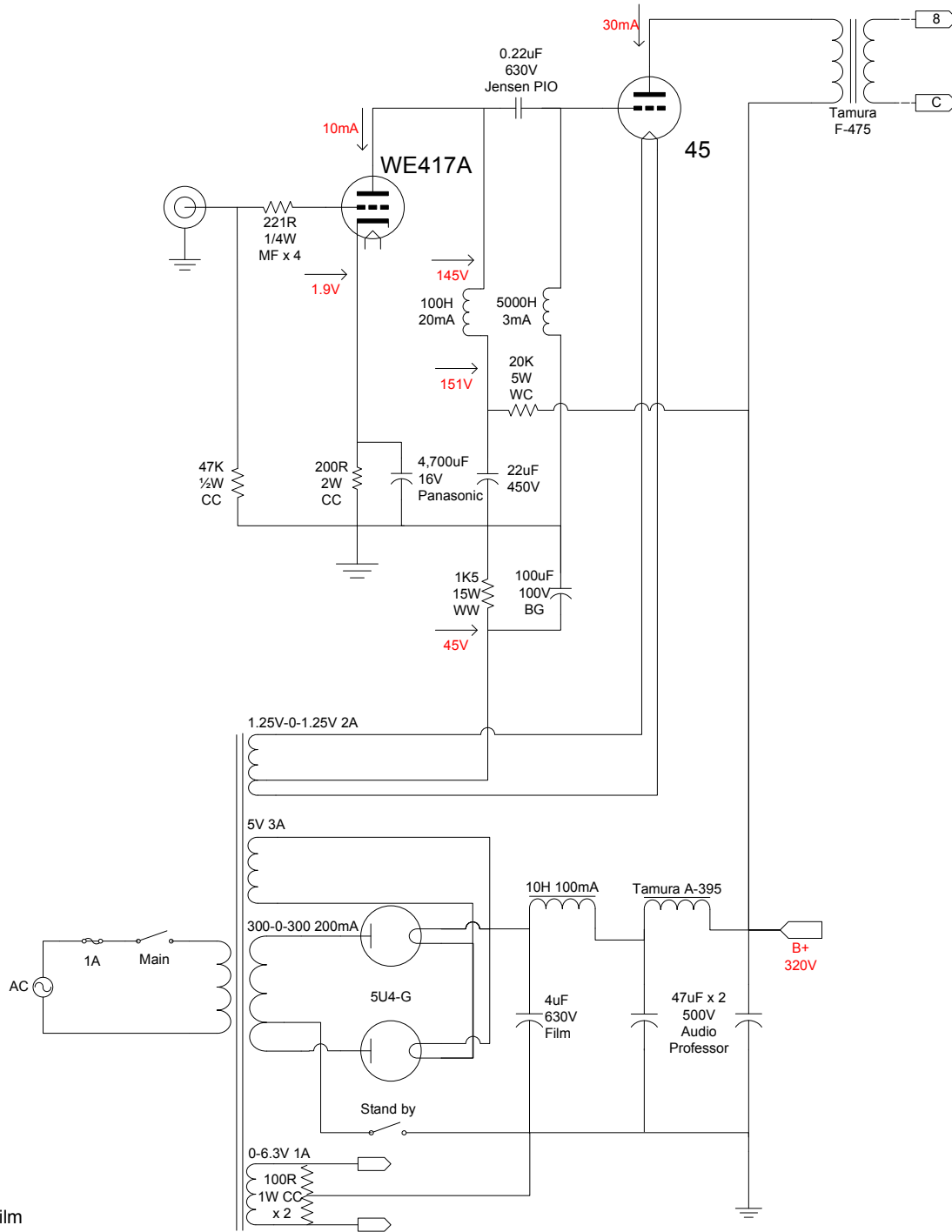
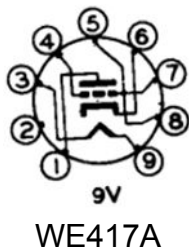
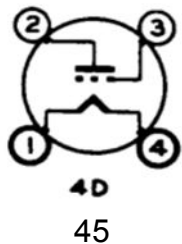


# Western Electric 417A – 45 Amplifier



MF = metal film  
 CC = carbon composition  
 WC = white coffin (ceramic)  
 WW = wirewound  
 BG = Black Gate Standard

5842 Filaments



AK-450 Amplifier	
DRAWN BY ARNOLD C	DESCRIPTION Type 45 tube power amplifier
DATE	REVISED May 17, 2007